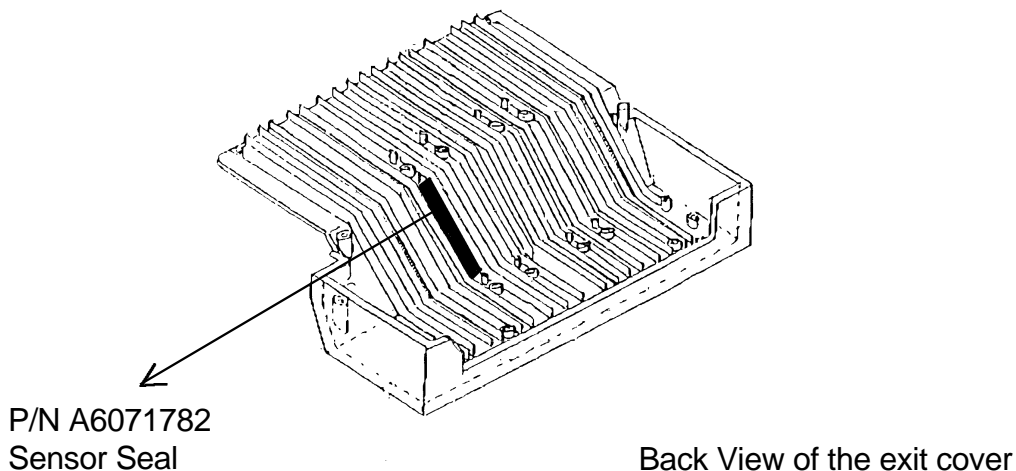


Model: RDH for F401/411/421		Date: 15-Jun-97	No: 1
Modified Article: Sensor Seal		Prepared by: M.Kitajima	
From: QAC 1st Field Information Dept.			
Reason for Modification:	<input type="checkbox"/> Parts catalog correction	<input type="checkbox"/> Vendor change	<input type="checkbox"/> To meet standards
	<input type="checkbox"/> To facilitate assembly	<input checked="" type="checkbox"/> To improve reliability	()
	<input type="checkbox"/> Part standardization	<input type="checkbox"/> Other	

Old part number	New part number	Description	Qty	Int	Page	Index	Note
	A6071782	Sensor Seal	0→1	—	19	*28	

* New Index

To prevent the exit sensor from mis-detecting, a sensor seal has been added on the back side of the exit cover.



Model: RDH for F401/411/421

Date: 15-Jun-97

No: 1

MODEL NAME	V/ Hz	DESTINATION	CODE	SERIAL NUMBER
Savin DH500	120/ 60	U. S. A.	A607 - 15	5A57010001
	120/ 60	U. S. A.		
Ricoh DH500			A607 - 17	A7086120059
	230/ 50	Europe etc.		
NRG DH500	120/ 60	U. S. A., Canada etc.	A607 - 22	AE77010001
	230/ 50	Europe etc.		
Infotec DH500	230/ 50	Europe	A607 - 26	3K60170001

Model: RDH for F401/411/421/Cardinal		Date: 31-Aug-97	No: 2
Modified Article: Parts Catalog		Prepared by: H.K	
From: QAC 1st Field Information Dept.			
Reason for Modification:	<input checked="" type="checkbox"/> Parts catalog correction	<input type="checkbox"/> Vendor change	<input type="checkbox"/> To meet standards
	<input type="checkbox"/> To facilitate assembly	<input type="checkbox"/> To improve reliability	()
	<input type="checkbox"/> Part standardization	<input type="checkbox"/> Other	

For part number correction, please correct your parts catalog as follows:

Incorrect P/N	Correct P/N	Description	Quantity	Index No.	Page
AB011086	A6071092	Gear – 20Z	1 - 1	6	7
A6071215	A3781433	Shaft – Roller clutch – Z18	1 - 1	4	25
A6071092	A3781097	Gear – 18Z	1 - 1	8	25

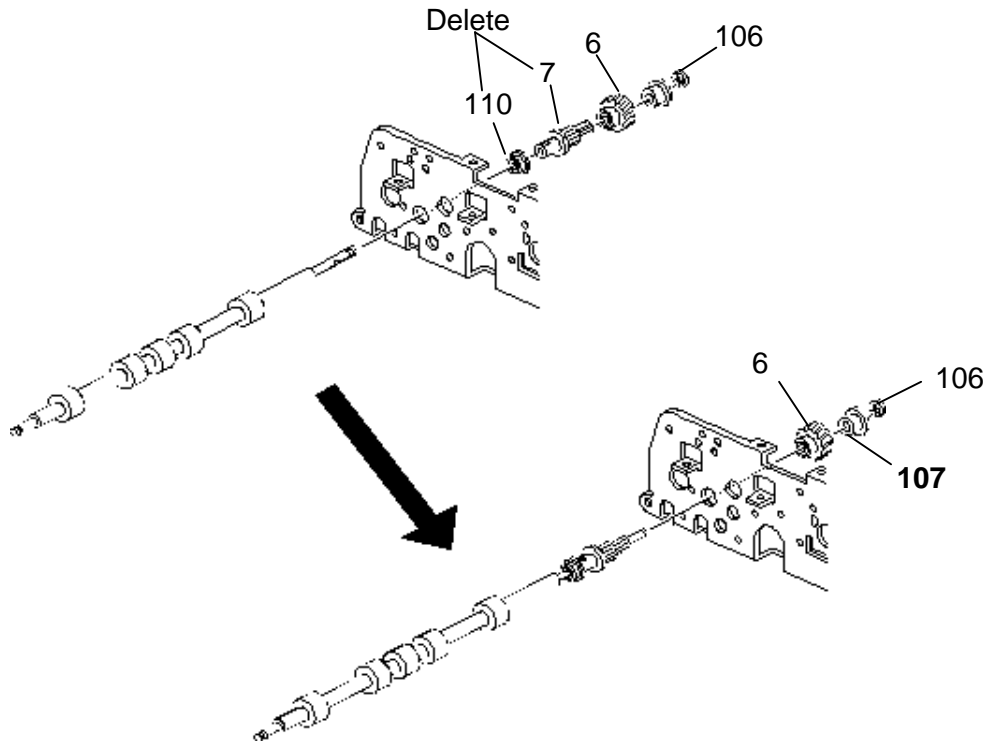
The parts for Index 7 and 110 on page 6 are press-fitted to the feed out roller (A6071099). For illustration correction, please correct your parts catalog on page 6 as follows and delete the following part number from your part catalog (figure No.1).

Parts Number	Description	Index No.	Page
A6071092	Gear – 20Z	7	7

Please add the following part number to your parts catalog (figure no.2).

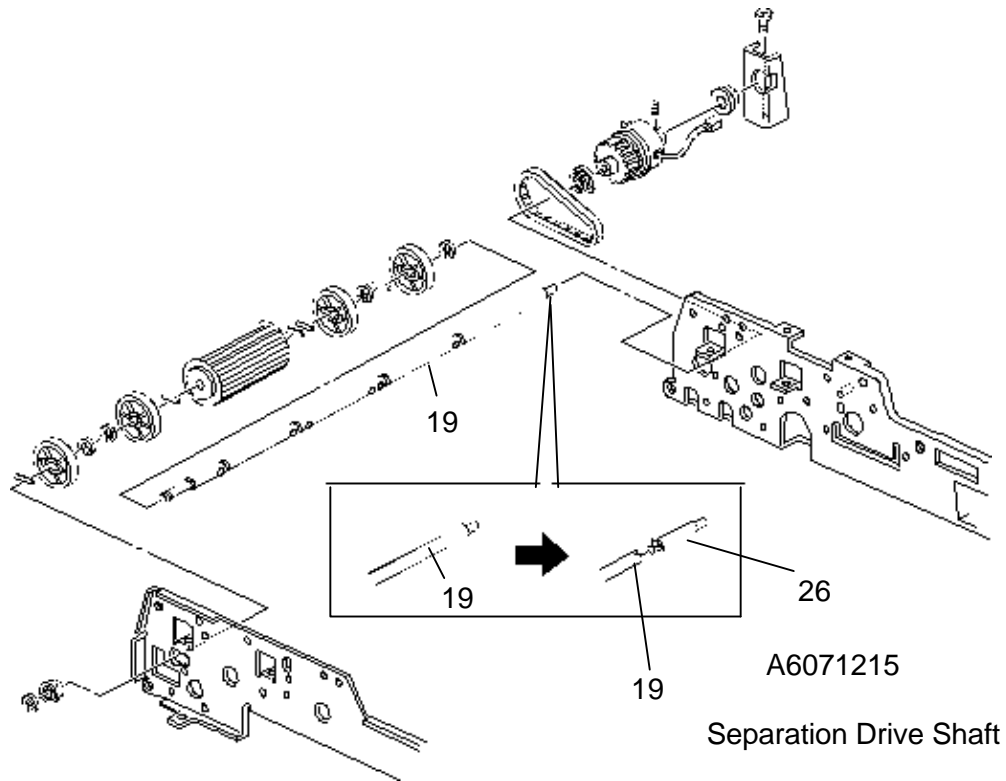
New P/N	Description	Quantity	Index No.	Page
A6071215	Separation Drive Shaft	1	26	7

Model: RDF for F401/411/421/Cardinal	Date: 31-Aug-97	No: 2
--------------------------------------	-----------------	-------



Page 6

Figure No.1



Page 6

Figure No.2

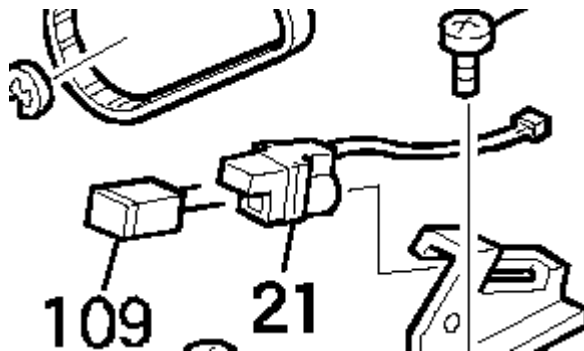
Model: RDF for F401/411/421/Cardinal	Date: 31-Aug-97	No: 2
--------------------------------------	-----------------	-------

MODEL NAME	V/ Hz	DESTINATION	CODE	SERIAL NUMBER
Savin DH500	120/ 60	U. S. A.	A607 - 15	/
	120/ 60	U. S. A.		
Ricoh DH500			A607 - 17	
	230/ 50	Europe etc.		
NRG DH500	120/ 60	U. S. A., Canada etc.	A607 - 22	
	230/ 50	Europe etc.		
Infotec DH500	230/ 50	Europe	A607 - 26	

Model: RDH for F401/411/421/Cardinal		Date: 31-Dec-97	No: 3
Modified Article: Parts Catalog		Prepared by: H.K.	
From: QAC Field Information Dept.			
Reason for Modification:	<input checked="" type="checkbox"/> Parts catalog correction	<input type="checkbox"/> Vendor change	<input type="checkbox"/> To meet standards
	<input type="checkbox"/> To facilitate assembly	<input type="checkbox"/> To improve reliability	()
	<input type="checkbox"/> Part standardization	<input checked="" type="checkbox"/> Other	

Please correct your parts catalog as follows:

Incorrect P/N	Correct P/N	Description	Quantity	Index No.	Page
11050192	14030493	LED - Green	1 - 1	109	25



Model: RDH for F401/411/421/Cardinal

Date: 31-Dec-97

No: 3

MODEL NAME	V/ Hz	DESTINATION	CODE	SERIAL NUMBER
Savin DH500	120/ 60	U. S. A.	A607 - 15	/
	120/ 60	U. S. A.		
Ricoh DH500			A607 - 17	
	230/ 50	Europe etc.		
NRG DH500	120/ 60	U. S. A., Canada etc.	A607 - 22	
	230/ 50	Europe etc.		
Infotec DH500	230/ 50	Europe	A607 - 26	

Model: RDH F401/411/421/ C-Bird		Date: 15-Feb-98	No: 4
Modified Article: Fuse-5A 250V		Prepared by: F.Noguchi	
From: QAC Field Information Dept.			
Reason for Modification:	<input type="checkbox"/> Parts catalog correction	<input type="checkbox"/> Vendor change	<input type="checkbox"/> To meet standards
	<input type="checkbox"/> To facilitate assembly	<input type="checkbox"/> To improve reliability	()
	<input checked="" type="checkbox"/> Part standardization	<input type="checkbox"/> Other	

Old part number	New part number	Description	Qty	Int	Page	Index	Note
11070459	11070752	Fuse – 5A 250V	n-n	O/O	29	117	

Due to parts standardization, the 5A 250V fuse has been changed.

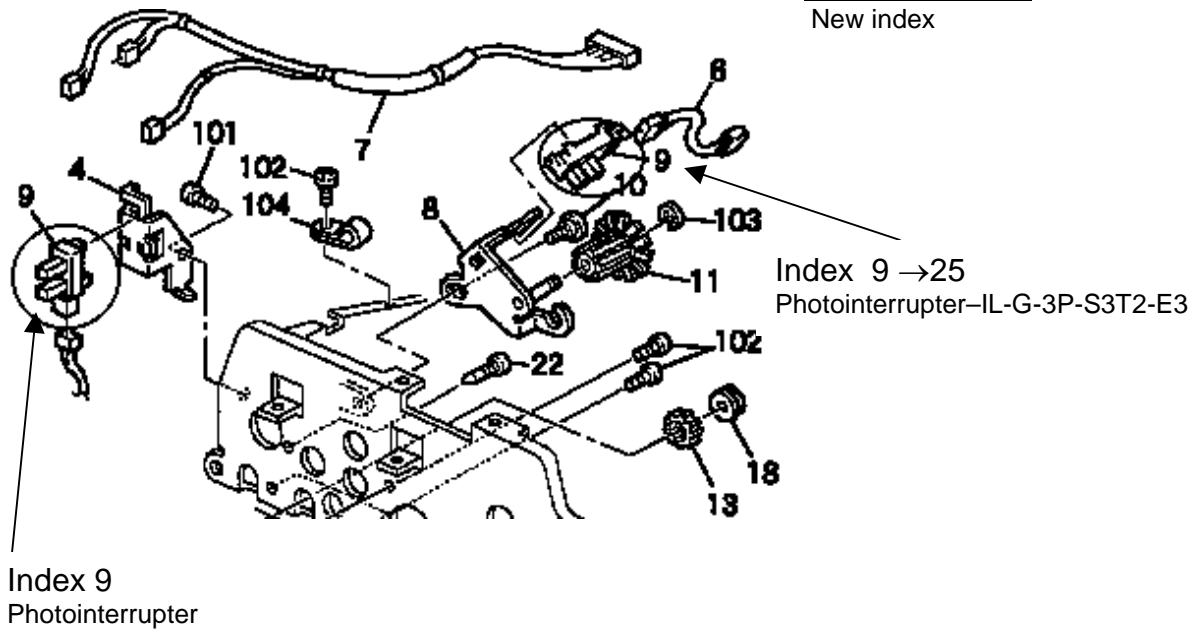
MODEL NAME	V/ Hz	DESTINATION	CODE	SERIAL NUMBER
Savin DH500	120/ 60	U. S. A.	A607 - 15	/
	120/ 60	U. S. A.		
Ricoh DH500			A607 - 17	
	230/ 50	Europe etc.		
NRG DH500	120/ 60	U. S. A., Canada etc.	A607 - 22	
	230/ 50	Europe etc.		
Infotec DH500	230/ 50	Europe	A607 - 26	

Model: RDH for F401/411/421/C-Bird	Date: 31-Oct-99	No.: MA607005
------------------------------------	-----------------	---------------

Modified Article: Parts Catalog		Prepared by: F.Noguchi	
From: Technical Service Dept., GTS Division			
Reason for Modification:	<input checked="" type="checkbox"/> Parts catalog correction	<input type="checkbox"/> Vendor change	<input type="checkbox"/> To meet standards ()
	<input type="checkbox"/> To facilitate assembly	<input type="checkbox"/> To improve reliability	
	<input type="checkbox"/> Part standardization	<input type="checkbox"/> Other	

Please apply the following parts number and index number corrections to your parts catalog.

	P/N	Description	Q'ty	Page	Index
Incorrect	AW020075	Photointerrupter	2	11	9
Correct	AW020075	Photointerrupter	1	11	9
	52165245	Photointerrupter-IL-G-3P-S3T2-E3	1	11	*25



Model: RDH for F401/411/421/C-Bird	Date: 22-Jun-01	No.: MA607006
------------------------------------	-----------------	---------------

Modified Article: Belt Drive Motor		Prepared by: F. Noguchi	
From: Technical Services Dept., GTS Division			
Reason for Modification:	<input type="checkbox"/> Parts catalog correction	<input type="checkbox"/> Vendor change	<input type="checkbox"/> To meet standards ()
	<input type="checkbox"/> To facilitate assembly	<input type="checkbox"/> To improve reliability	
	<input checked="" type="checkbox"/> Part standardization	<input type="checkbox"/> Other	

Due to parts standardization, the belt drive motor has been changed.

Old part number	New part number	Description	Q'ty	Int	Page	Index	Note
AX060082		Belt Drive Motor – DC 19W	1	O/O	25	39	
	AX060220	DC Motor – DC 20W					